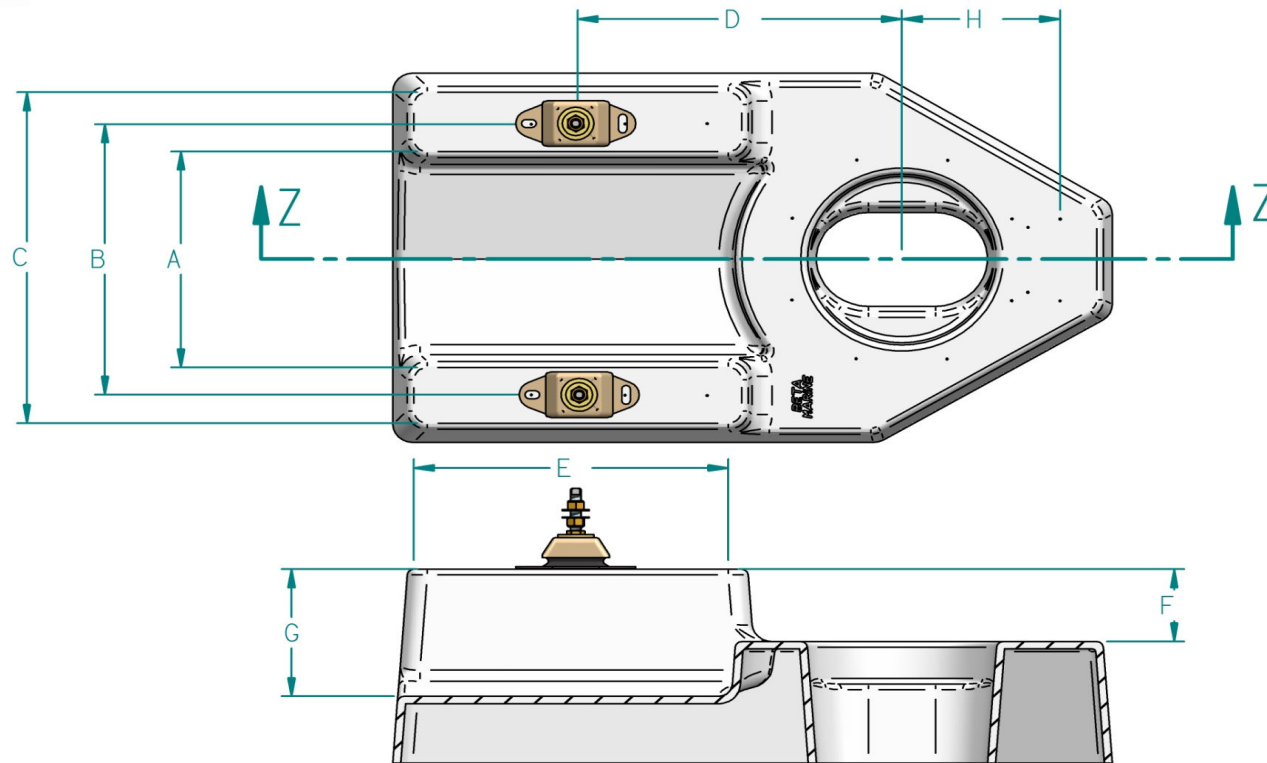


**BETA MARINE**

**SPECIAL FEET SAILDRIVE FORM**



**SECTION Z-Z**

<b>A</b>	BETWEEN BEARERS	
<b>B</b>	CENTER OF BEARERS	
<b>C</b>	OUTSIDE OF BEARERS	
<b>D</b>	CENTER OF LEG TO CENTER OF BEARER	
<b>E</b>	LENGTH OF BEARERS	
<b>F</b>	FROM SAILDRIVE SEAL TO TOP OF BEARERS	
<b>G</b>	HIGHT FROM TOP OF BEARER TO BOTTOM HULL	
<b>H</b>	CENTER OF SAILDRIVE TO REAR MOUNT HOLES	

**NOTE'S**

BOAT TYPE:

OLD ENGINE TYPE:

	WOC NUMBER (IF KNOWN)
NAME	
ADDRESS	
TEL	
E-MAIL	
ENGINE TYPE	
GEARBOX	