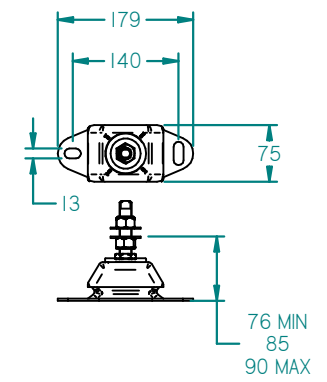
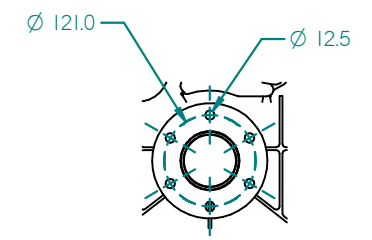
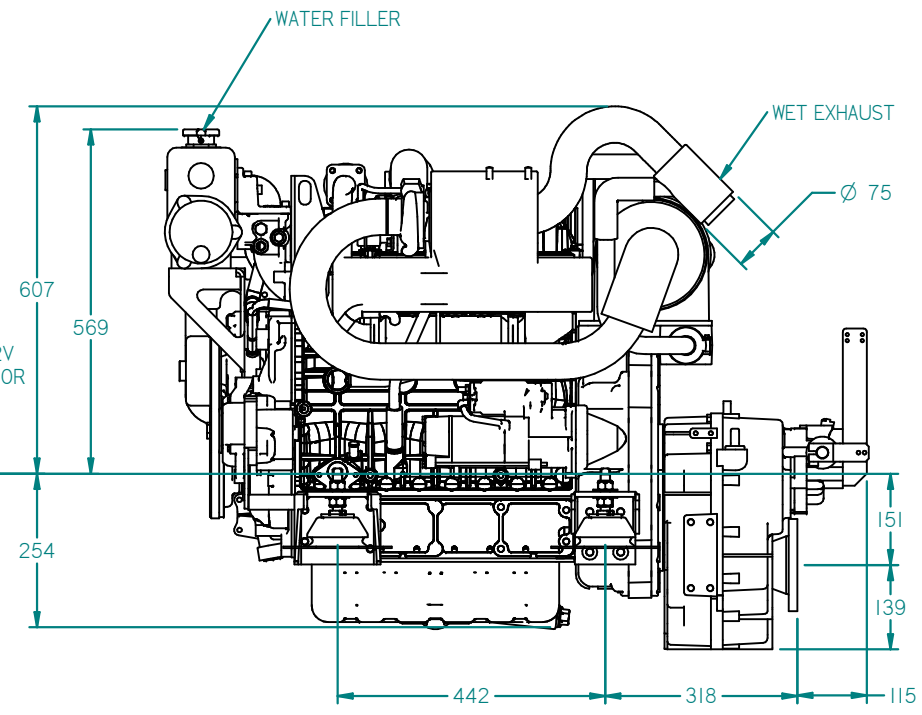
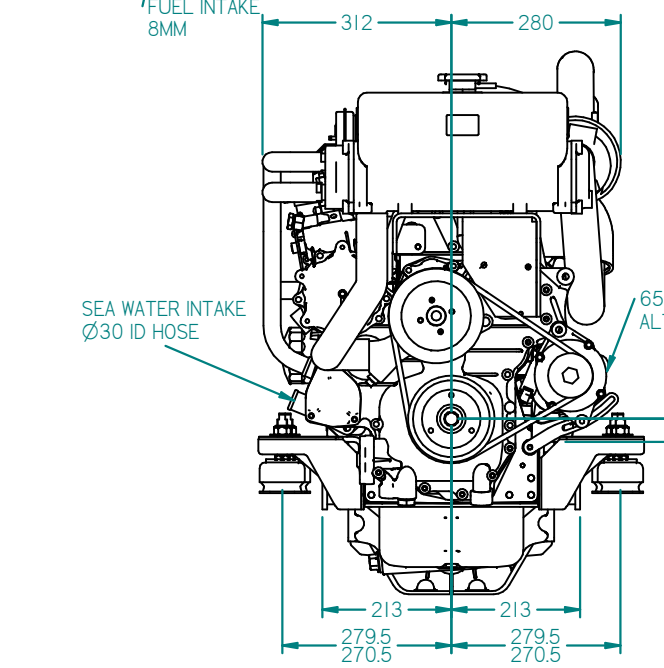


FLEXIBLE MOUNT



OTHER SIDE



OUTOUT FLANGE

REV	DESCRIPTION	DATE	APP'D	DRAWN	NOTES
01					

DIMENSIONS IN MM (INCH)
 DO NOT SCALE

BETA MARINE
 BETA MARINE LTD,
 DAVY WAY,
 WATERWELLS,
 QUEDGELEY,
 GLOUCESTER, GL2 2AD, UK
 TEL: (01452) 723492 FAX: (01452) 729916

PART FILE NAME: BETA 105 HE ZF45.asm
 DRAWN BY: TW
 CHECKED BY: LT

TITLE:
**BETA105 HEAT EXCHANGE
 ZF45 GEARBOX**

DWG NO: 100-08942
 SCALE: NTS
 PAGE: 1 of 1
 DATE: 22/08/2011

REV: 00