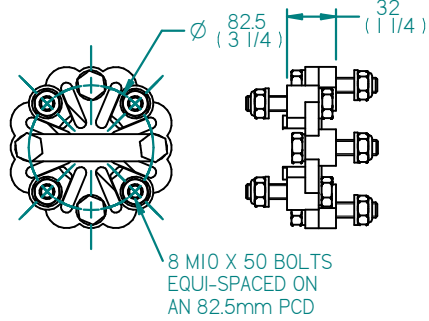
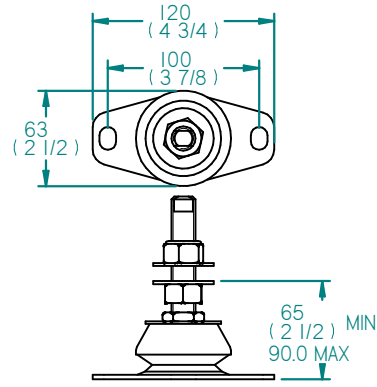


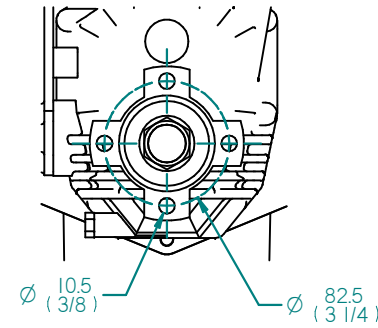
FLEXIBLE COUPLING DETAILS



FLEXIBLE MOUNT DETAILS



GEARBOX OUTPUT



FUEL BLEED SCREW

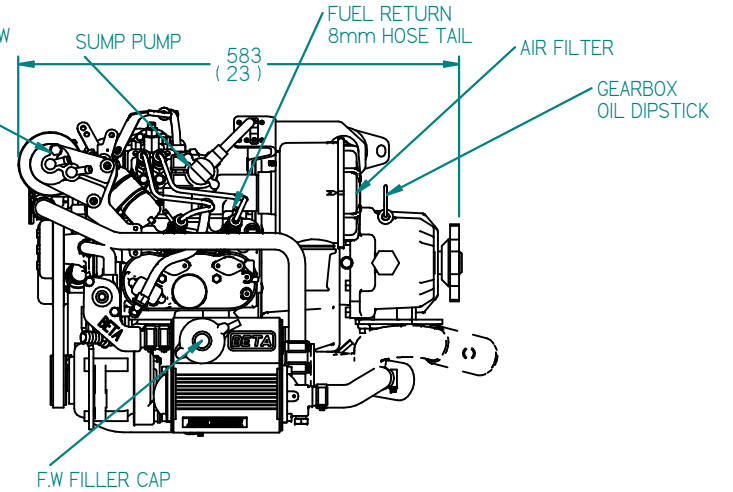
SUMP PUMP

FUEL RETURN 8mm HOSE TAIL

AIR FILTER

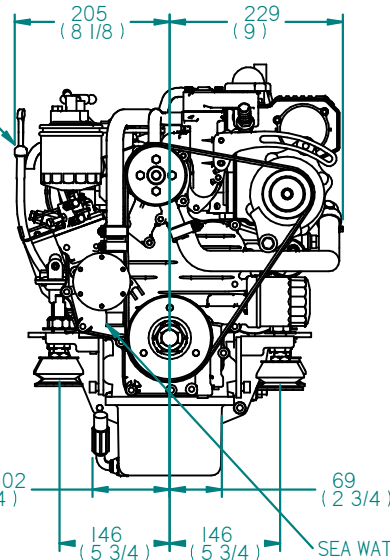
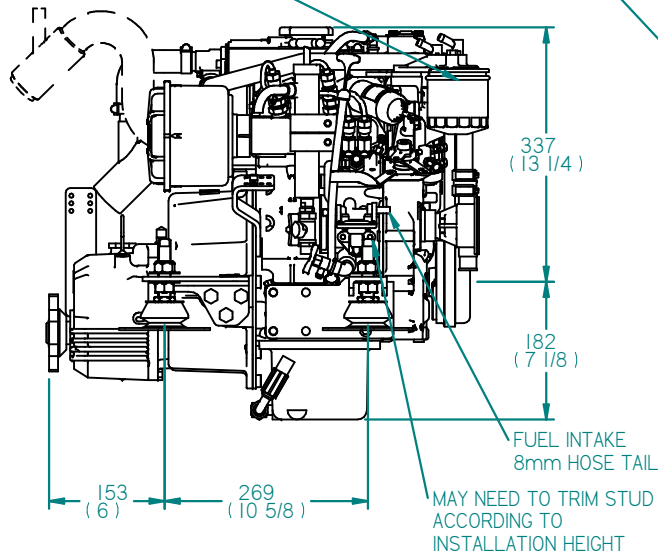
GEARBOX OIL DIPSTICK

F.W FILLER CAP



FUEL FILTER

LUBE OIL DIPSTICK

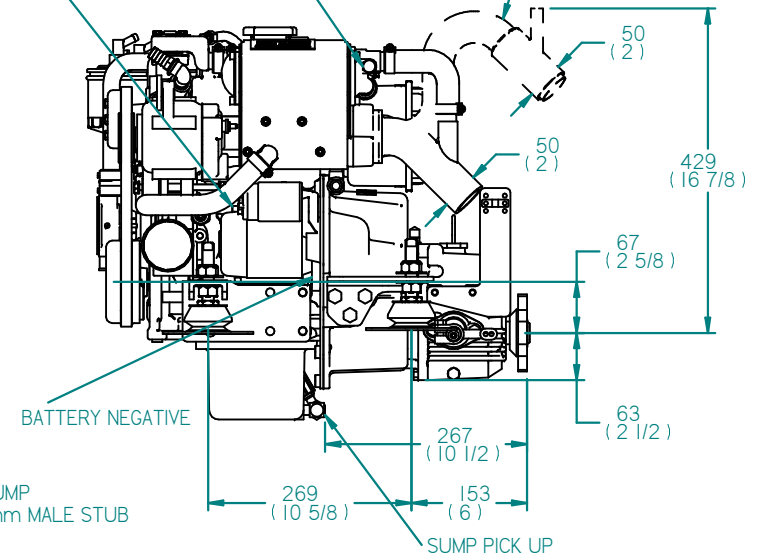


SEA WATER PUMP INTAKE Ø22mm MALE STUB

BATTERY POSITIVE

SACRIFICIAL ANODE

OPTIONAL 6 INCH HIGH RISE EXHAUST 202-92400



BATTERY NEGATIVE

SUMP PICK UP

REV	DESCRIPTION	DATE	APP'D	DRAWN	NOTES
01	FUEL FILTER, H/E TANK AND AIR FILTER	01/10/01	LT	TW	
02	CALORIFIERS AND TIER2 CLOSED BREATHER	27/03/07	LT	TW	
03	CHANGED REAR FEET	30/03/12	LT	TW	
04	NEW HEADER TANK	28/09/12	LT	TW	

TITLE: BETA 10-14 HEAT EXCHANGE TMC40 WITH ATOMIC FEET

DIMENSIONS IN MM (INCH) DO NOT SCALE

PART FILE NAME: 100-08615 BETA 10-14 HE TMC40 ATOMIC.asm

**BETA MARINE**

BETA MARINE LTD,  
DAVY WAY,  
WATERWELLS,  
QUEDGELEY,  
GLOUCESTER. GL2 2AD, UK

SCALE: NTS

DRAWN BY: TW  
CHECKED BY: LT

SIZE: A4  
DWG NO: 100-08615  
PAGE: 1 of 1

REV: 04  
DATE: 28/09/2012

TEL: (01452) 723492

FAX: (01452) 729916