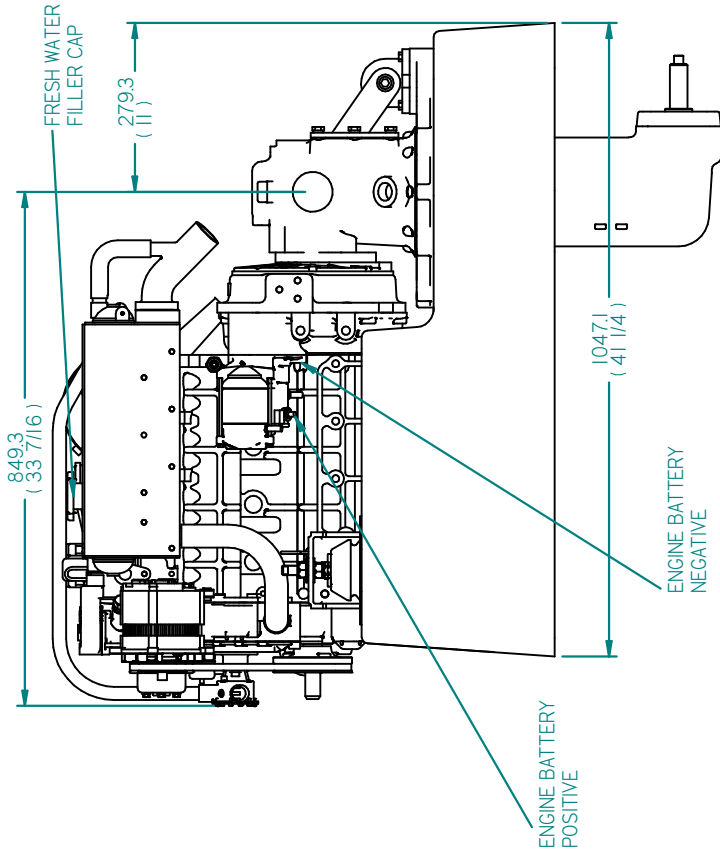
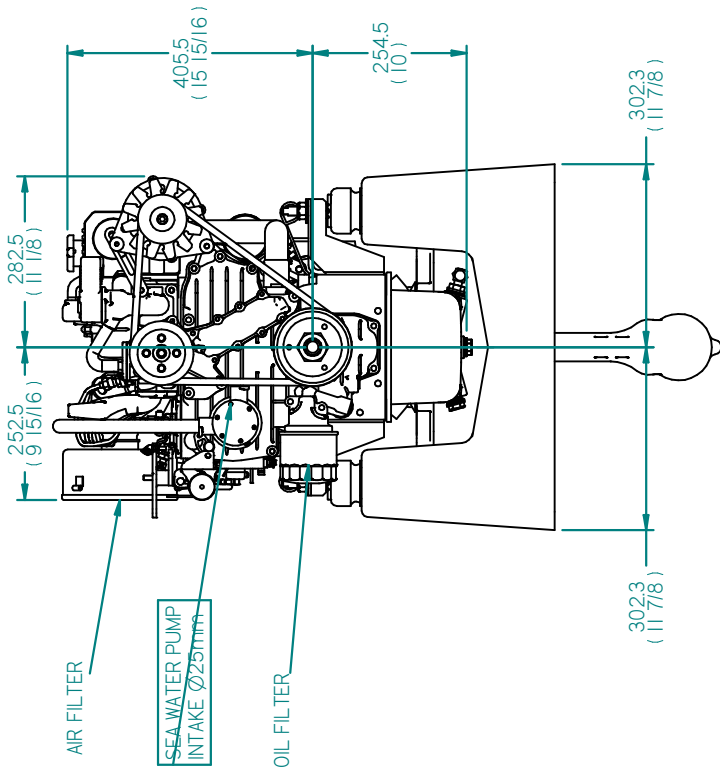
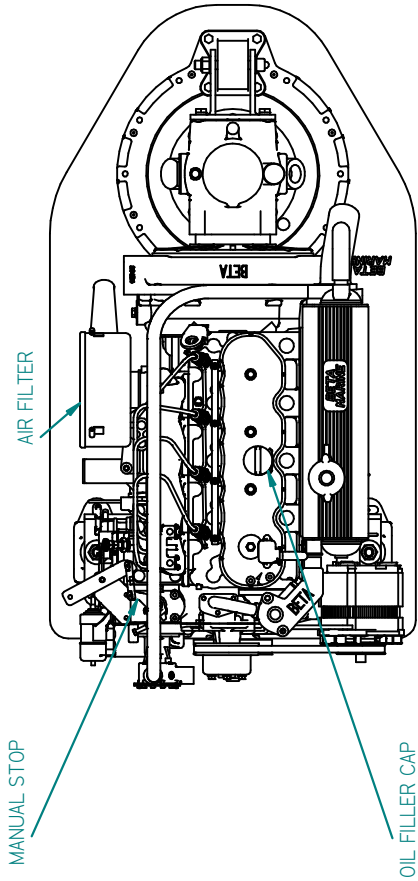


FLEXIBLE MOUNT



| REV | DESCRIPTION | DATE | APPD | DRAWN | NOTES |
|-----|-------------|------|------|-------|-------|
| 01 | | | | | |
| | | | | | |
| | | | | | |
| | | | | | |
| | | | | | |

TITLE

**BETA 50 HEAT EXCHANGE
SEAPROP 60 SAILDRIVE**

DIMENSIONS IN MM (INCH)
DO NOT SCALE



BETA MARINE

BETA MARINE LTD.
MERRETT'S MILLS,
BATH ROAD,
SOUTH WOODCHESTER,
STROUD, GLOS. GL5 5EU

DRAWN BY: TW
CHECKED BY: LT

SIZE A4
DWG NO. 100-08963

SCALE
PAGE 1 of 1
DATE 12/08/2009
REV 00