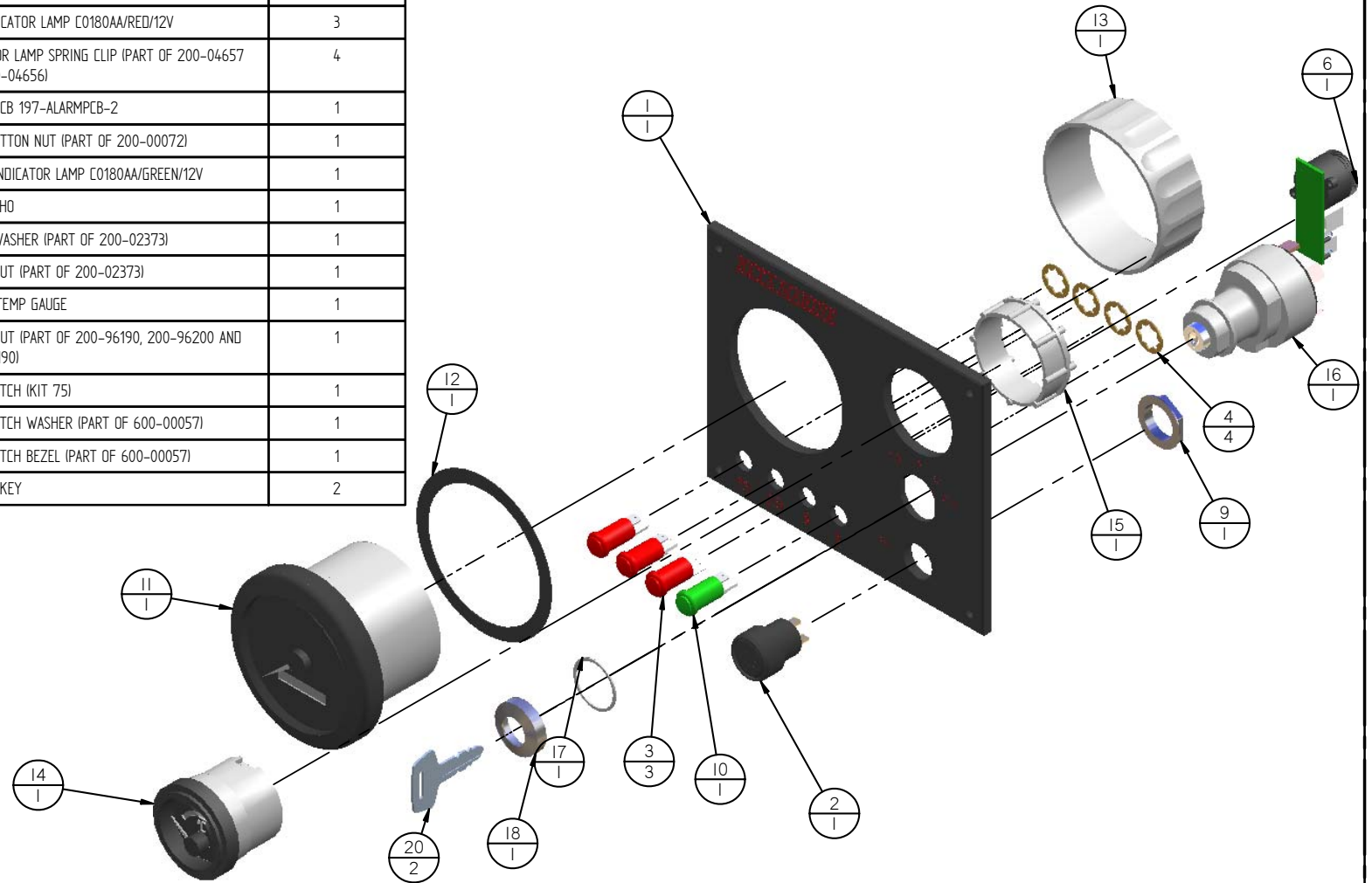


Item Number	Document Number	Title	Quantity
1	200-00043	PANEL FACE 2B	1
2	200-00072	PUSH BUTTON AND BOOT 197-0850-001	1
3	200-04657	RED INDICATOR LAMP C0180AA/RED/12V	3
4	N/A	INDICATOR LAMP SPRING CLIP (PART OF 200-04657 AND 200-04656)	4
6	200-04655	ALARM PCB 197-ALARMPCB-2	1
9	N/A	PUSH BUTTON NUT (PART OF 200-00072)	1
10	200-04656	GREEN INDICATOR LAMP C0180AA/GREEN/12V	1
11	200-02373	VDO TACHO	1
12	N/A	TACHO WASHER (PART OF 200-02373)	1
13	N/A	TACHO NUT (PART OF 200-02373)	1
14	200-96200	WATER TEMP GAUGE	1
15	N/A	GAUGE NUT (PART OF 200-96190, 200-96200 AND 200-96190)	1
16	600-00057/01	KEY SWITCH (KIT 75)	1
17	N/A	KEY SWITCH WASHER (PART OF 600-00057)	1
18	N/A	KEY SWITCH BEZEL (PART OF 600-00057)	1
20	600-00058/01	KUBOTA KEY	2



REV	DESCRIPTION	DATE	APP'D	DRAWN
01				

NOTES

DIMENSIONS IN MM (INCH)
DO NOT SCALE

MATL:

BETA MARINE

BETA MARINE LTD.
DAVY WAY,
WATERWELLS,
QUEDGELEY, GLOUCESTER,
GL2 2AD, U.K.

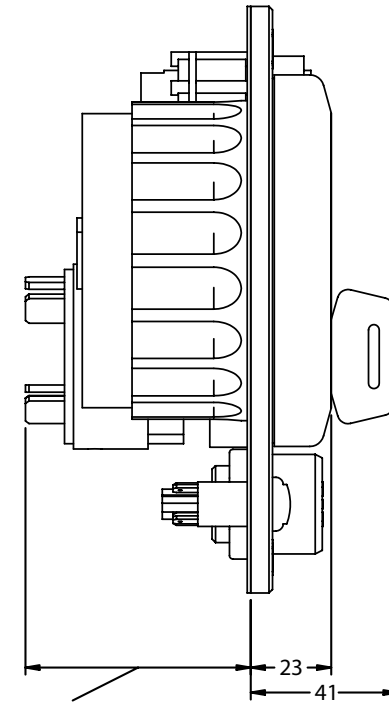
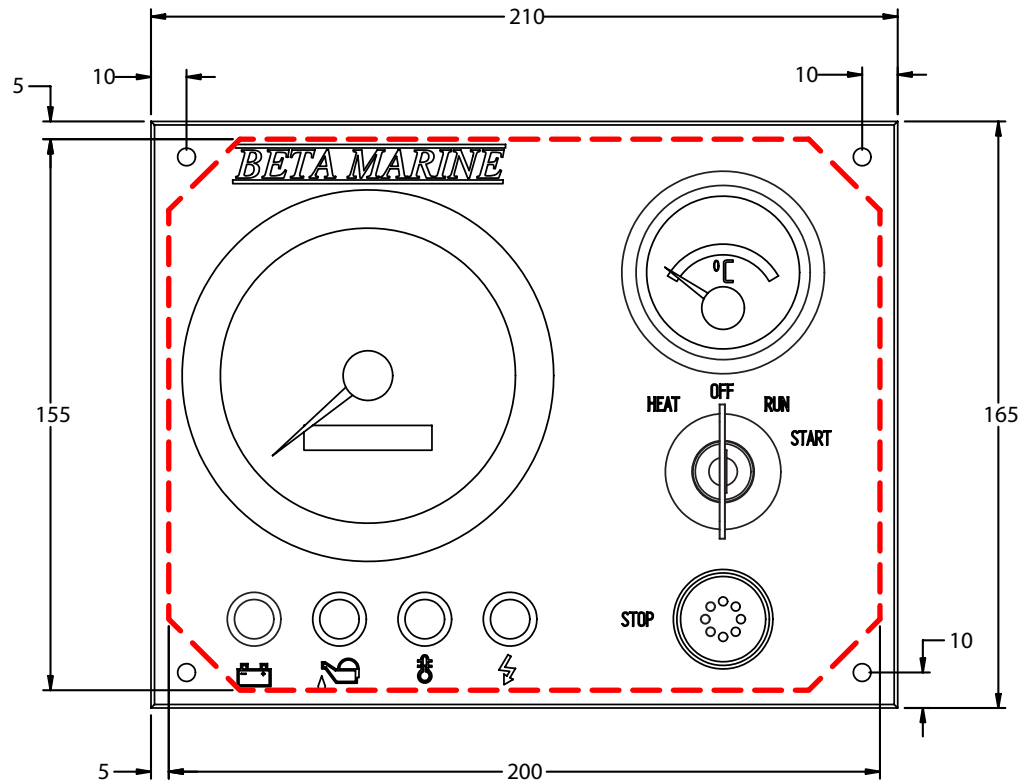
TITLE: B PANEL

DRAWN BY: TW
CHECKED BY: LT

SIZE: A4
SCALE: NTS

DWG NO: 200-06303
PAGE: 1 of 2

REV: 01
DATE: 05/10/2007



REV	DESCRIPTION	DATE	APP'D	DRAWN	NOTES
01	CHANGED KEY SWITCH	05/09/08	LT	TW	

NOTES

DIMENSIONS IN MM (INCH)
DO NOT SCALE

TITLE

B PANEL

BETA MARINE

BETA MARINE LTD,
DAVY WAY,
WATERWELLS,
QUEDGELEY, GLOUCESTER,
GL2 2AD, U.K.

DRAWN BY:-	TW	SIZE	A4	DWG NO.	200-06303	REV	01
CHECKED BY:-	LT	SCALE	NTS	PAGE	2 of 2	DATE	05/10/2007

TEL: (01453) 835282 FAX: (01453) 835284