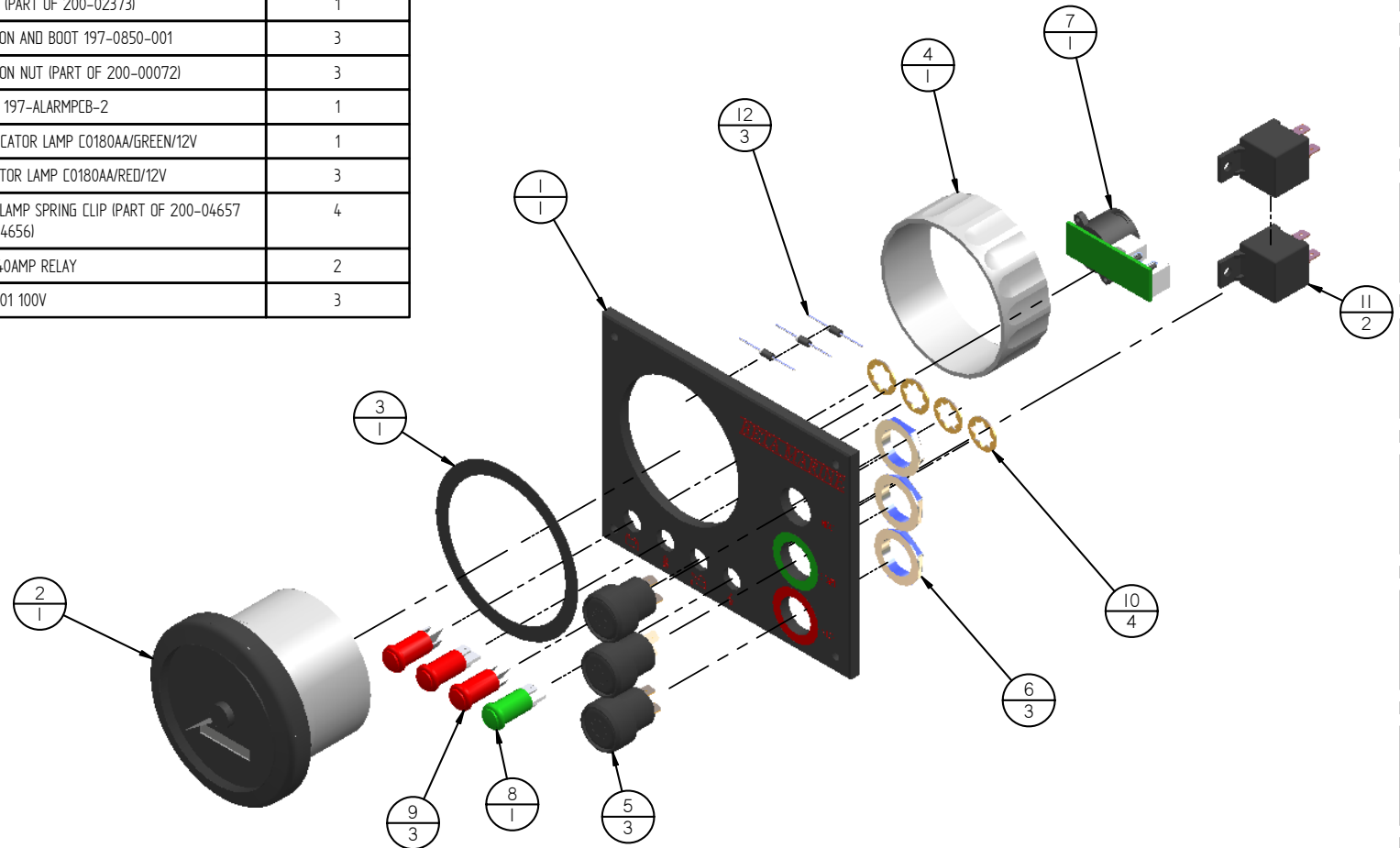


Item Number	Document Number	Title	Quantity
1	202-06331/01	PANEL FACE ABVV	1
2	200-02373	VDO TACHO	1
3	N/A	TACHO WASHER (PART OF 200-02373)	1
4	N/A	TACHO NUT (PART OF 200-02373)	1
5	200-00072	PUSH BUTTON AND BOOT 197-0850-001	3
6	N/A	PUSH BUTTON NUT (PART OF 200-00072)	3
7	200-04655	ALARM PCB 197-ALARMPCB-2	1
8	200-04656	GREEN INDICATOR LAMP C0180AA/GREEN/12V	1
9	200-04657	RED INDICATOR LAMP C0180AA/RED/12V	3
10	N/A	INDICATOR LAMP SPRING CLIP (PART OF 200-04657 AND 200-04656)	4
11	200-87020	28RA 12V 40AMP RELAY	2
12	200-00116	DIODE 1N5401 100V	3



REV	DESCRIPTION	DATE	APP'D	DRAWN
01				

NOTES AS USED ON K14744

TITLE ABVV SPLASH PROOF PANEL

DIMENSIONS IN MM (INCH) DO NOT SCALE  MATL:

BETA MARINE

BETA MARINE LTD.
MERRETT'S MILLS,
BATH ROAD,
SOUTH WOODCHESTER,
STROUD, GLOS. GL5 5EU

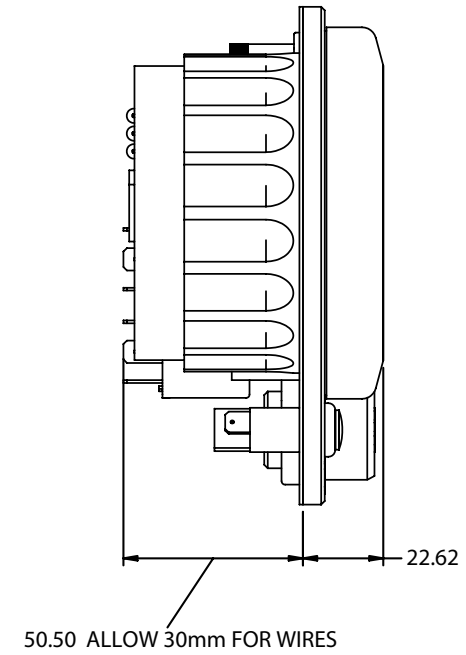
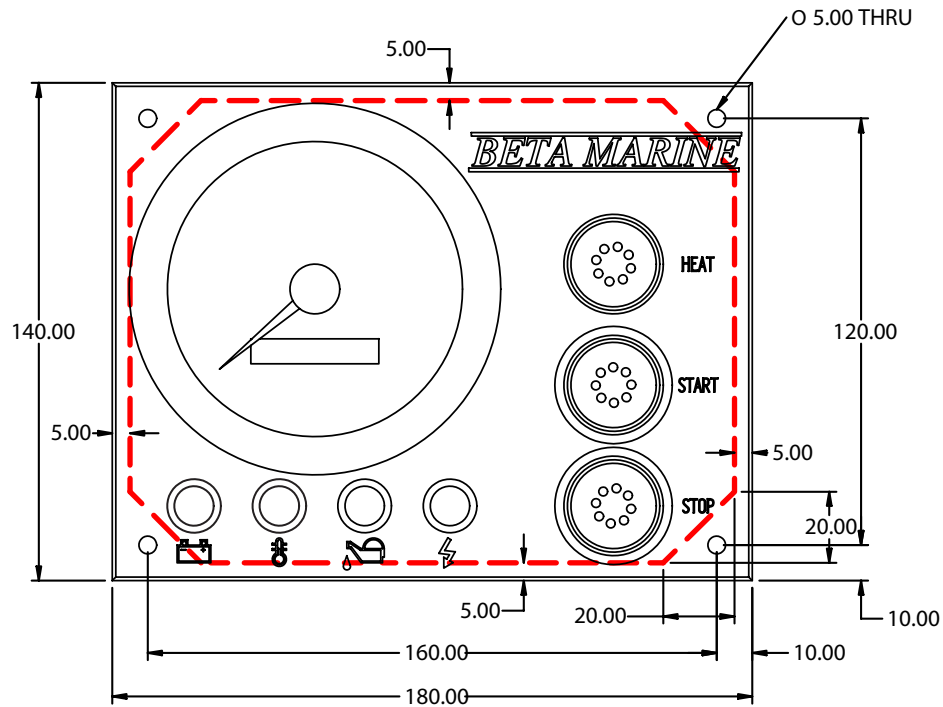
TEL: (01453) 835282 FAX: (01453) 835284

DRAWN BY: TW
CHECKED BY: LT

SIZE A4
SCALE NTS

DWG NO. 200-06331
PAGE 1 of 2

REV 00
DATE 05/10/2007



REV	DESCRIPTION	DATE	APP'D	DRAWN
01				

NOTES AS USED ON K14744

TITLE ABVW SPLASH PROOF PANEL

DIMENSIONS IN MM (INCH) DO NOT SCALE

BETA MARINE LTD,
MERRETT'S MILLS,
BATH ROAD,
SOUTH WOODCHESTER,
STROUD, GLOS. GL5 5EU

TEL: (01453) 835282 FAX: (01453) 835284

DRAWN BY:- TW
CHECKED BY:- LT

SIZE A4
SCALE NTS

DWG NO. 200-06331
PAGE 2 of 2

REV 00
DATE 05/10/2007